

OM 5050

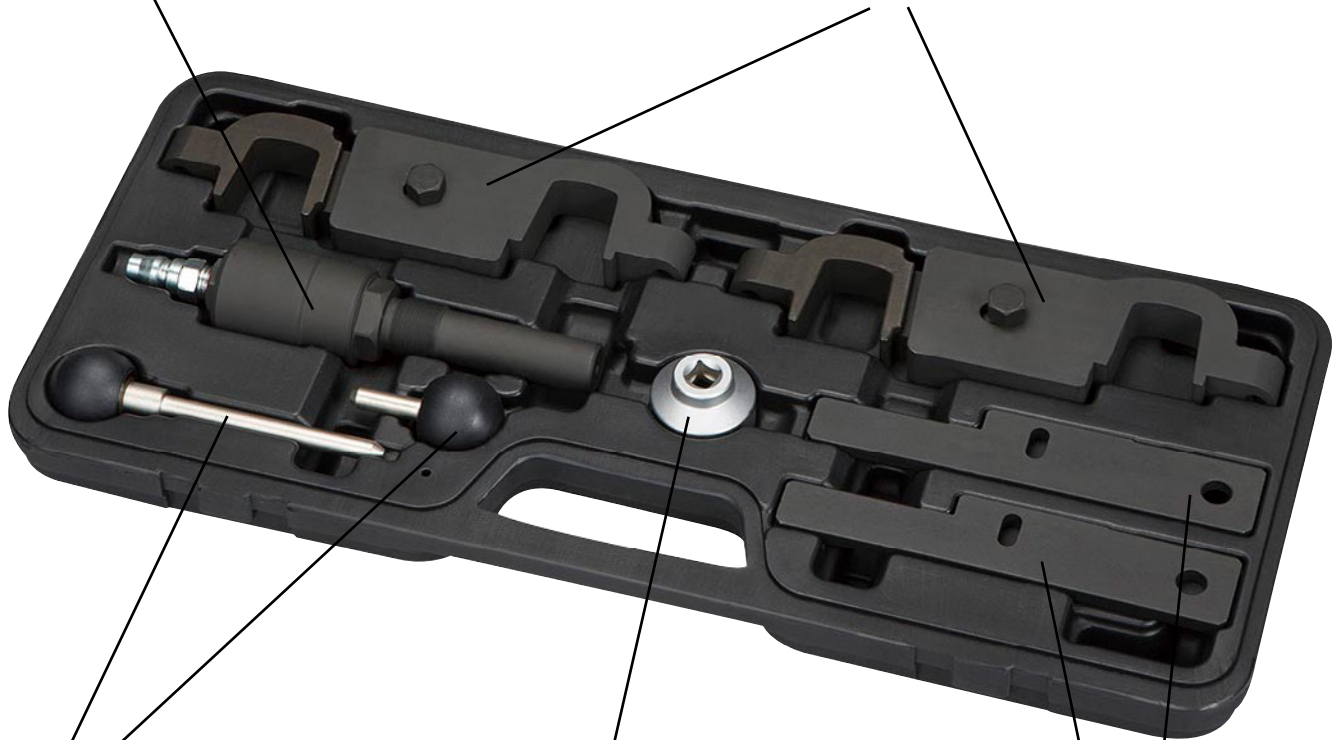
COFFRET CALAGE PORSCHE CAYENNE/PANAMERA V8 PORSCHE CAYENNE/PANAMERA V8 TIMING TOOL SET

SA 5053

OUTIL PRE-TENSION CHAINE DISTRIBUTION
PRE-TENSIONING TOOL FOR DISTRIBUTION CHAIN

SA 5051

OUTIL ALIGNEMENT ARBRES A CAMES
CAMSHAFT ALIGNMENT TOOL



SA 5054

PIGE BLOCAGE POULIE VILEBREQUIN
CRANKSHAFT PULLEY LOCKING PIN

SA 5055

DOUILLE 27mm 3/8"
SOCKET 27mm 3/8"

SA 5052

JAUGE ARBRE A CAMES
CAMSHAFT GAUGE